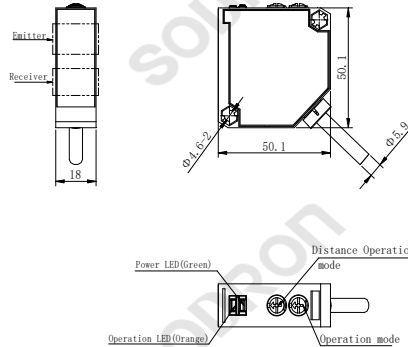


**Dimensions****Model**

PF50V-R07EJSR

Technical parameters

Detection method	Retro-reflective type
------------------	-----------------------

Model	PF50V-R07EJSR
-------	---------------

Detection distance	7m (When using SDF-07 reflector)
--------------------	----------------------------------

Standard detection object	> $\varnothing 75\text{mm}$ (Opaque object) (When using SDF-07 reflector)
---------------------------	---

Beam angle	> 1.5°
------------	--------

Output method	Relay Output
---------------	--------------

Output state	NO+NC
--------------	-------

Light source	Red LED 620nm
--------------	---------------

Power supply voltage	DC24~240V \pm 10%, Ripple(p-p) \leq 10% AC24~240V \pm 10% 50/60Hz
----------------------	--

Power	DC/AC: < 2W
-------	-------------

Control output rating	Relay Output: 1c contact AC250V \leq 3A (cos ϕ =1), DC5V \geq 10mA
-----------------------	--

Relay life (Mechanical)	\geq 50 million operations (18,000 cycles/h) \geq 100,000 operations (1,800 cycles/h)
-------------------------	--

Response time	< 20ms
---------------	--------

Sensitivity adjustment	Unidirectional knob
------------------------	---------------------

Indicator lights	Power: Green LED, Operation: Orange LED
------------------	---

Connection method	5-core PVC Cable(2m)
-------------------	----------------------

Ambient temperature	Work:-25°C~+55°C; Store: -30°C~+70°C, (No dew condensation or icing allowed)
---------------------	--

Ambient humidity	Work: 45~85%RH; Store:35~95%RH, (No dew condensation)
------------------	---

Ambient illumination	Sunlight: < 10000Lx, lamplight: < 3000Lx
----------------------	--

Insulation resistance	> 20M Ω (DC500V megger)
-----------------------	--------------------------------

Withstand voltage	1500VAC, 50/60Hz, 1 min.
-------------------	--------------------------

Vibration resistance	10~55Hz double-amplitude 1.5mmX,Y,Z 2h
----------------------	--

Shock resistance	500m/s ² X,Y,Z, directions for 3 times
------------------	---

Protection class	IEC IP65
------------------	----------

Material	Housing	ABS+PC
	Lens	PMMA

Product features

- AC/DC power supply compatible
- Adopts visible red LED
- Relay contact output
- Large adjustment knob for easy operation

Connection